



## ***Salt Spreader Assembly***

***Clear the roads  
safely and  
efficiently with  
a Perkins  
Salt Spreader***

*Mount to a tilt-bed equipped  
truck.*

*Removeable salt chute.*

*Individually adjustable flaps  
allow controlled distribution.*

*Solid 10 ga steel construction.*

*Motor-driven spreader plate  
spins salt onto the road for  
even coverage. (optional)*

*Choose from electrical or  
hydraulic spreader motor  
(optional).*

*Powder coated finish*

*1-year limited warranty.*

**Model SS9000**  
**Patent Pending**    **An ISO 9001:2000 Company**

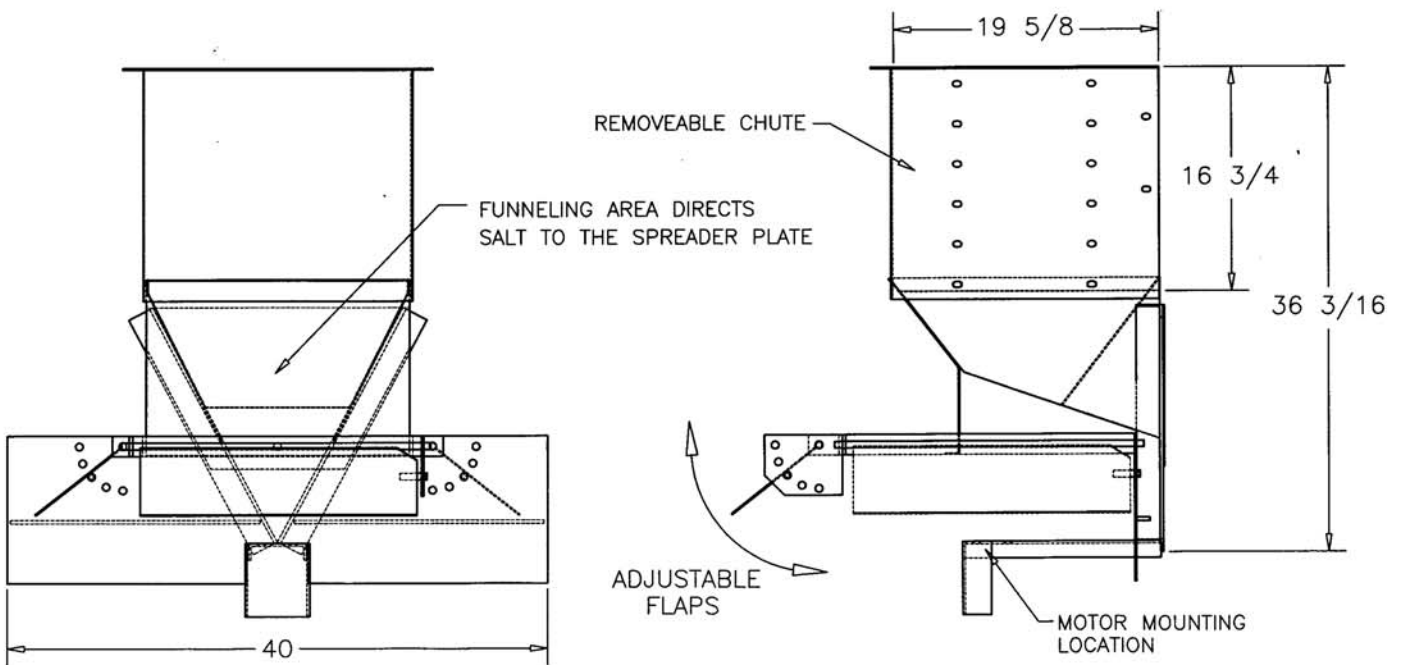
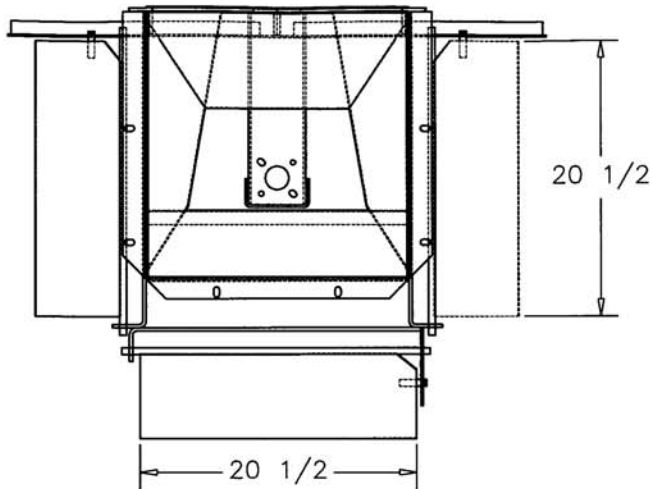


***Check out our website!***  
**[WWW.PERKINSMFG.COM](http://WWW.PERKINSMFG.COM)**

**Perkins Manufacturing Company**  
**737 Oakridge Drive**  
**Romeoville, IL 60446**  
**Local (708) 482-9500**  
**Fax (708) 354-5878**  
**Email: [tuckaway@perkinsmfg.com](mailto:tuckaway@perkinsmfg.com)**



# Specifications



Check out our website!  
[WWW.PERKINSMFG.COM](http://WWW.PERKINSMFG.COM)

**Model SS9000**  
**Patent Pending** An ISO 9001:2000 Company  
Specifications subject to change without notice

**Perkins Manufacturing Company**  
737 Oakridge Drive  
Romeoville, IL 60446  
Local (708) 482-9500  
Fax (708) 354-5878  
Email: [tuckaway@perkinsmfg.com](mailto:tuckaway@perkinsmfg.com)