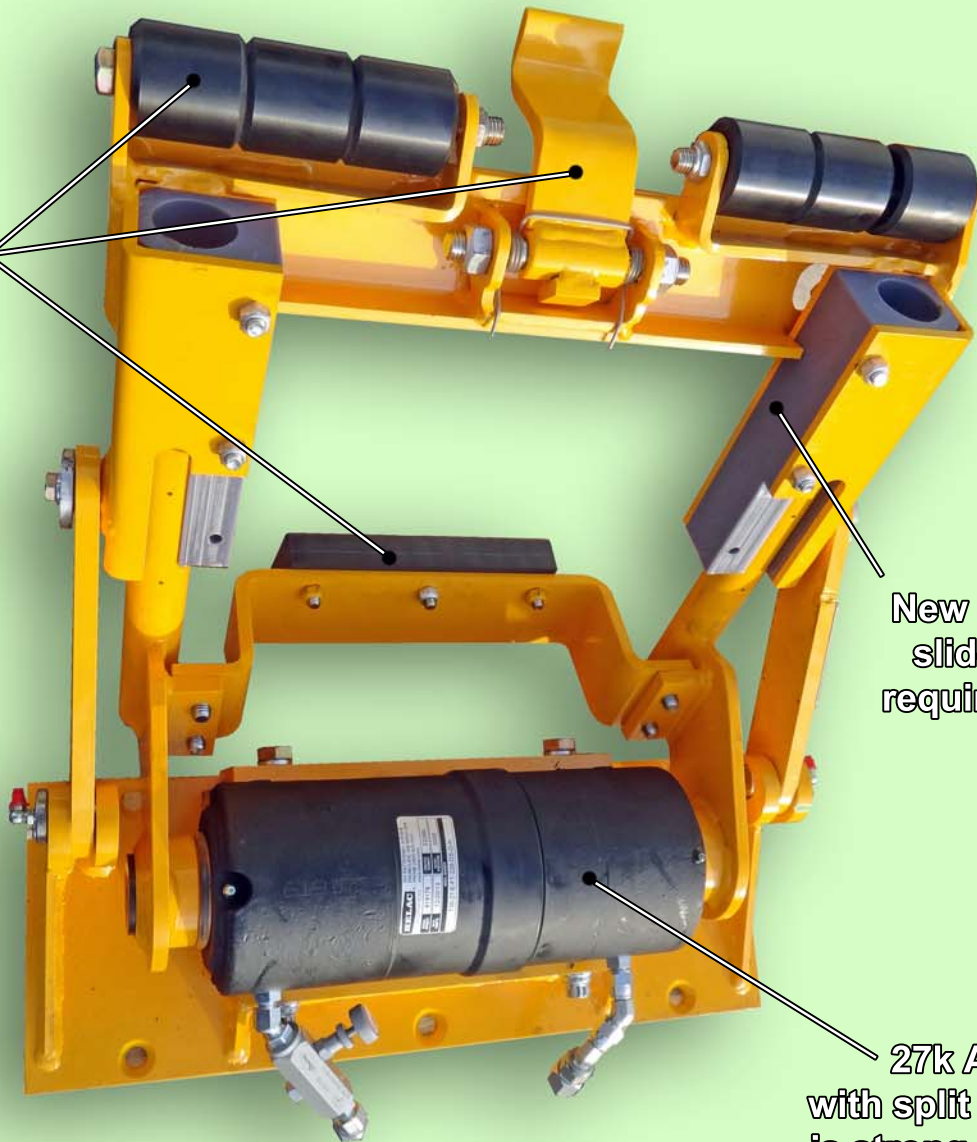


UHMW
upper saddle,
spring-back
lower latch,
and lower
plastic rollers
promote long
cart life



New composite
slides do not
require greasing

27k Actuator
with split body design
is strong, long lasting
and easier to service

Perkins

ACCESSORIES | AUTOMATED SYSTEMS | HYDRAULIC LIFTERS | INDUSTRIAL LIFTERS | ACCESSORIES

MODEL D6620-27k: TUCKAWAY[®] TIPPER-BAR LIFTER

The D6620-27k embodies an array of improvements featuring composite slides which makes the unit completely greaseless for less maintenance and a greener environment. The unit is fully tipper-bar compatible. The powerful 27k actuator features a split-body design for easy servicing. This is the sleekest TuckAway[®] design yet!



Features and Benefits

The performance you demand requires a serious machine with all the refinements that you've come to expect from the leader in the cart lifting industry.

- ◆ All new, powerful 27k Helical Actuator
- ◆ Featuring TuckAway® Lifter Performance
- ◆ Small profile is perfect for tipper-bar equipped trucks
- ◆ Unique "Back-Saving" action grabs carts on various terrains and heights
- ◆ No greasing required...saves on maintenance and the environment!
- ◆ Spring loaded lower latch is easy on cart surfaces
- ◆ ISO 9001 manufacturer
- ◆ National Service technicians for product support
- ◆ Fully staffed engineering department for custom applications



Specifications

- Fully compatible to ANSI Type B carts
- New lower mounting height: as low as 36", up to 41"
- 1,550 PSI required for 400lb load
- 6-8 second cycle time @ 3 GPM
- 45 degree dump angle
- Fits most tipper-bar equipped trucks
- Safety Yellow powder-coated finish
- Self-lubricated composite bearings at pivot points
- UHMW upper saddle prevents scratches on carts
- Adjustable flow control valve
- New 3 year limited warranty



Inside a Perkins actuator, the loads are carried by all the teeth, all the time



Inside rack & pinion systems, the loads are concentrated on only one tooth

NEW ADVANCED 27K ACTUATOR

- ◆ Higher torque & lower weight
- ◆ Two-part casted body is easier to open and service
- ◆ Fewer parts & fewer points that need sealing
- ◆ New grease points positioned to help flush away contaminants

Perkins Manufacturing Company

737 Oakridge Drive Romeoville, IL 60446

(708) 482-9500 Fax: (708) 354-5878

Email: tuckaway@perkinsmfg.com

www.Perkinsmfg.com TOLL FREE 800-882-5292

